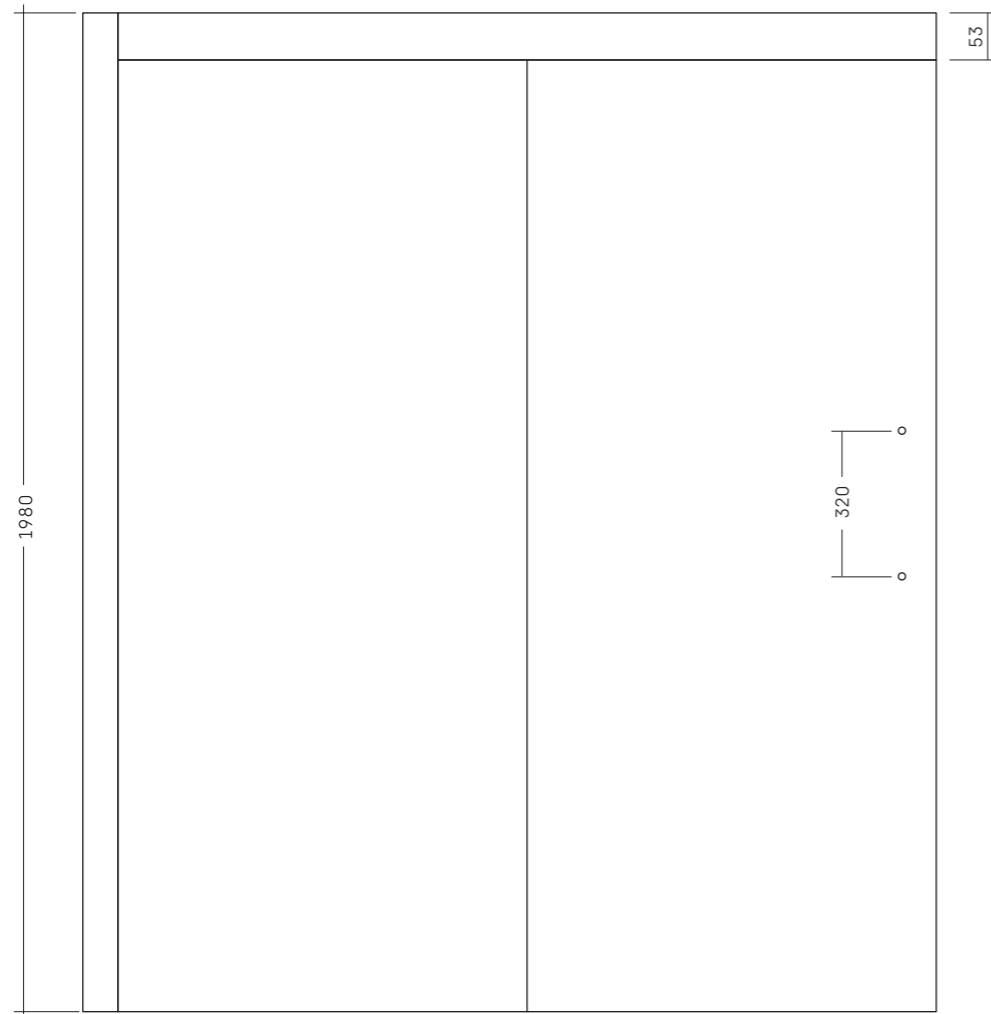


# FOCUS • FRONT VIEW

6 mm Th.

• **STANDARD FOCUS [measurements are in mm]**

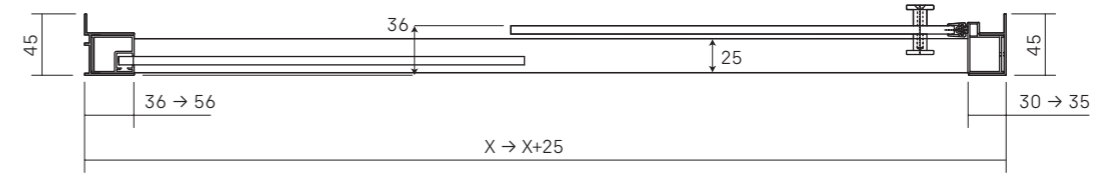


**!**  
 FOR SHOWER ENCLOSURES  
 AT CEILING HEIGHT (MAX 198 cm)  
 YOU MUST LEAVE A  
 SPACE OF AT LEAST 12 cm.

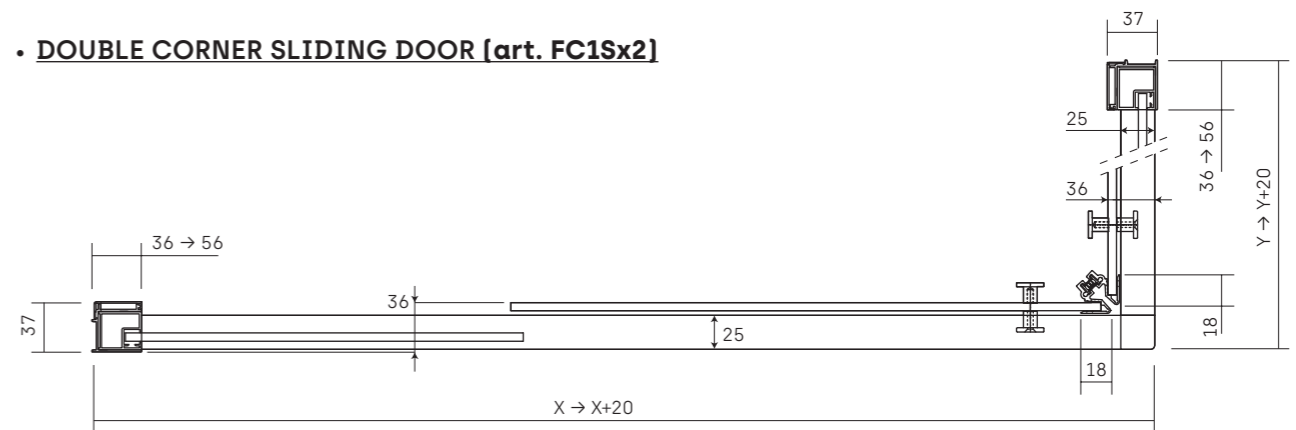
# FOCUS • TOP VIEW

6 mm Th.

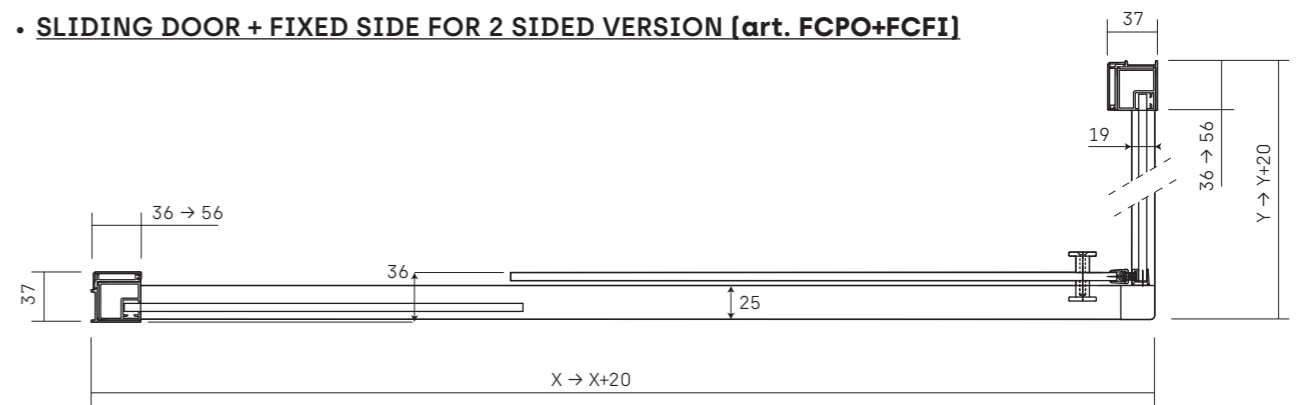
• **SLIDING DOOR FOR RECESS [art. FCNI]**



• **DOUBLE CORNER SLIDING DOOR [art. FC1Sx2]**



• **SLIDING DOOR + FIXED SIDE FOR 2 SIDED VERSION [art. FCPO+FCFI]**



• **SLIDING DOOR ON WALL + FIXED SIDE FOR 2 SIDED VERSION [art. FCPM+FCFX]**

