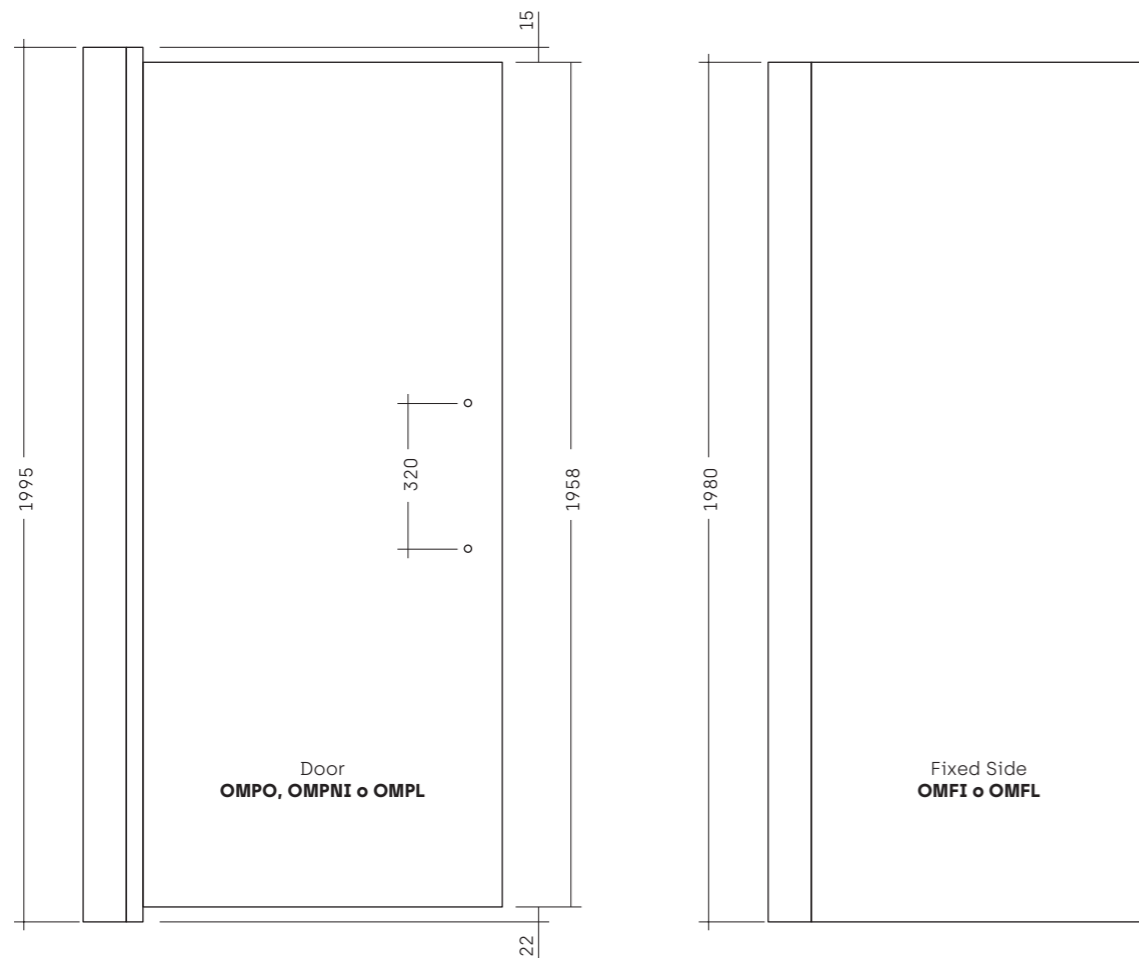


# OMEGA • FRONT VIEW

6 mm Th.

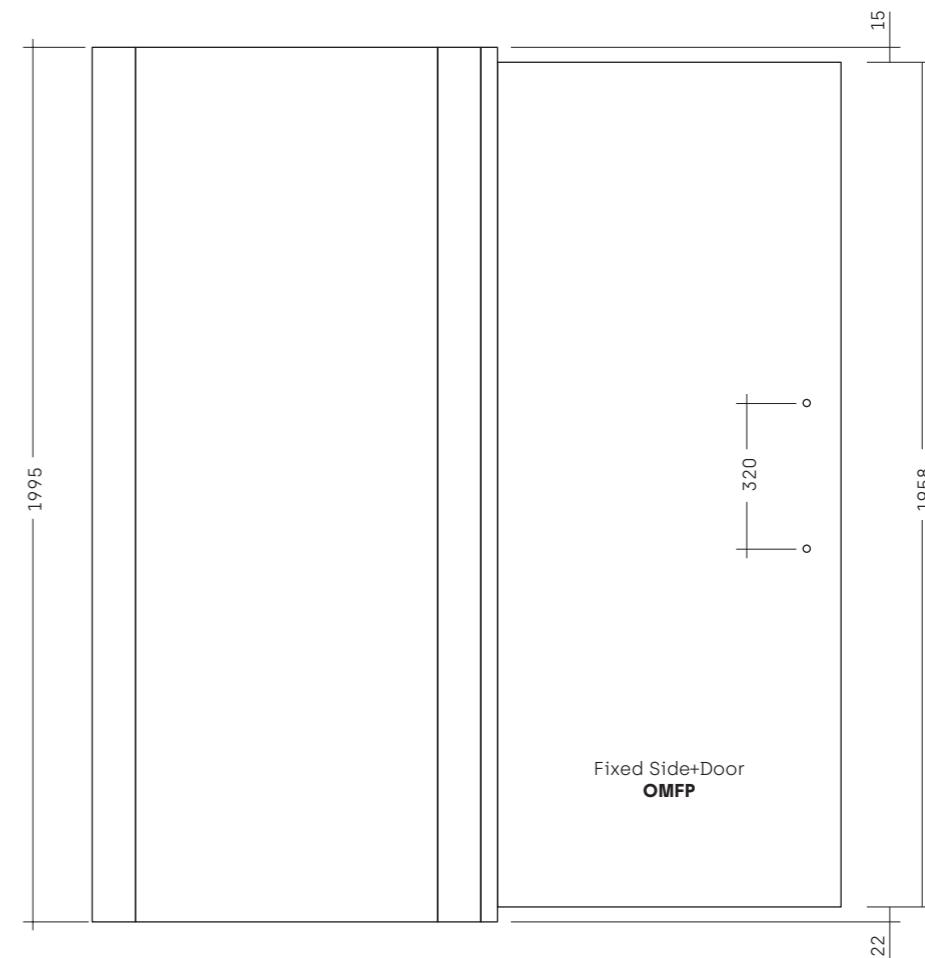
• STANDARD OMEGA [measurements are in mm]



# OMEGA • FRONT VIEW

6 mm Th.

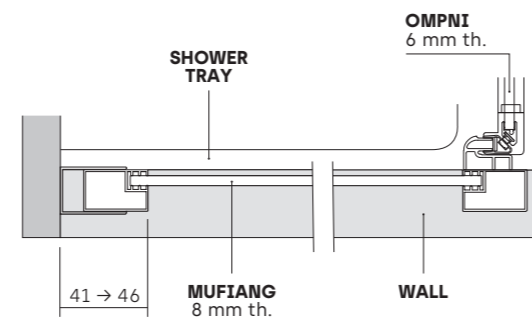
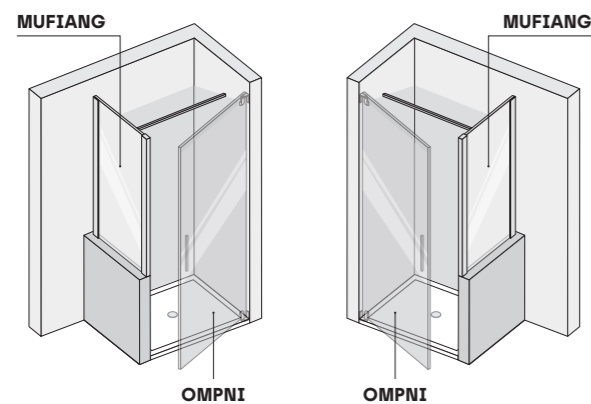
• STANDARD OMEGA [measurements are in mm]



• SPECIAL COMPOSITIONS - FIXED SIDE ON WALL

OMPNI + MUFIANG [LH and RH version]

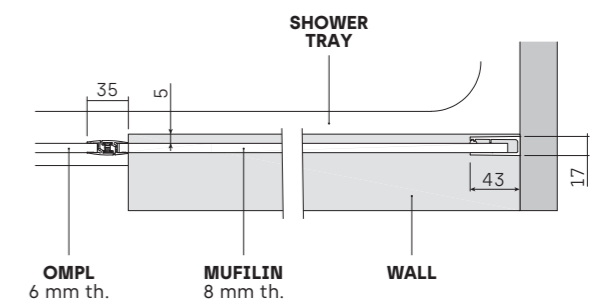
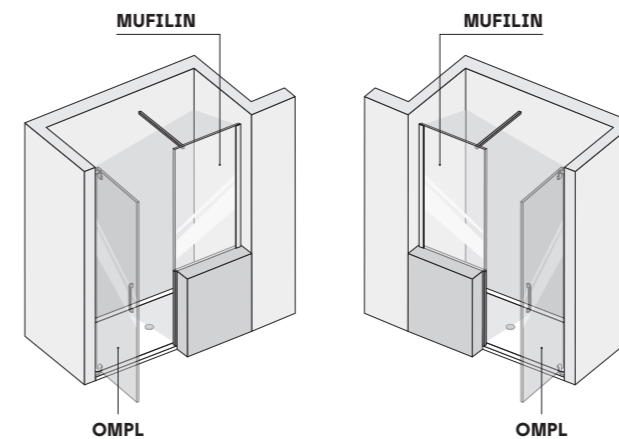
MUFIANG



• SPECIAL COMPOSITIONS - FIXED SIDE ON WALL

OMPL + MUFILIN [LH and RH version]

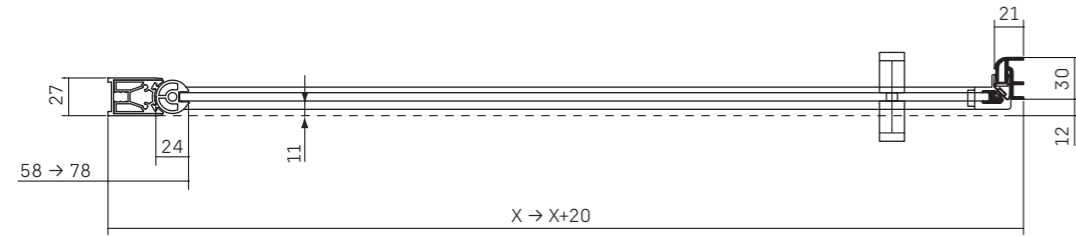
MUFILIN



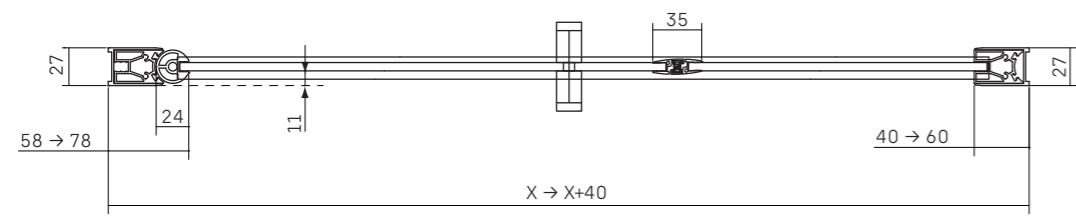
# OMEGA • TOP VIEW

6 mm Th.

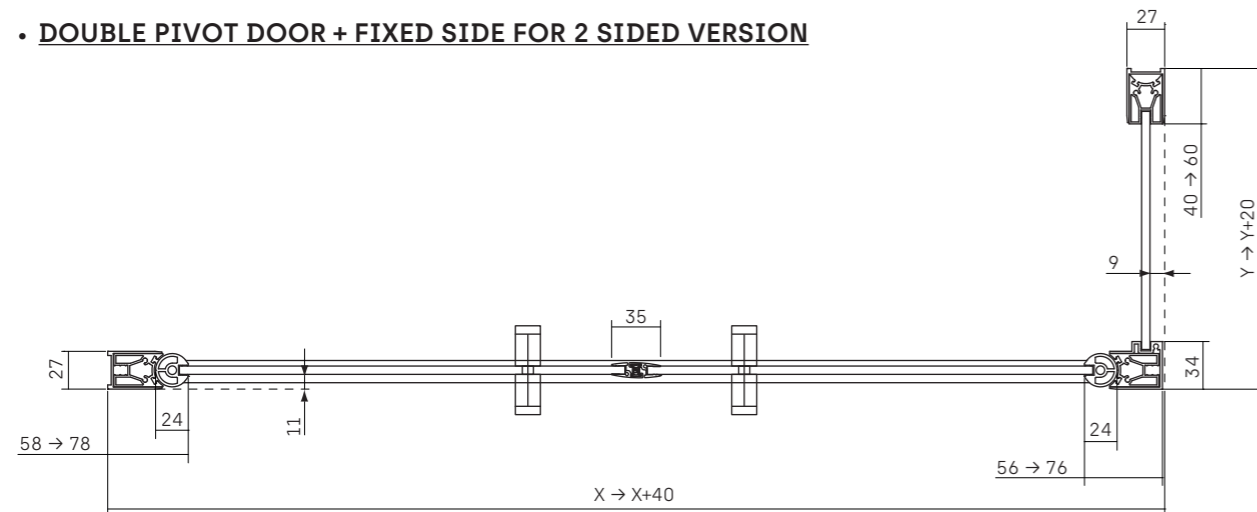
## • DOOR FOR RECESS



## • DOOR + IN-LINE FIXED SIDE



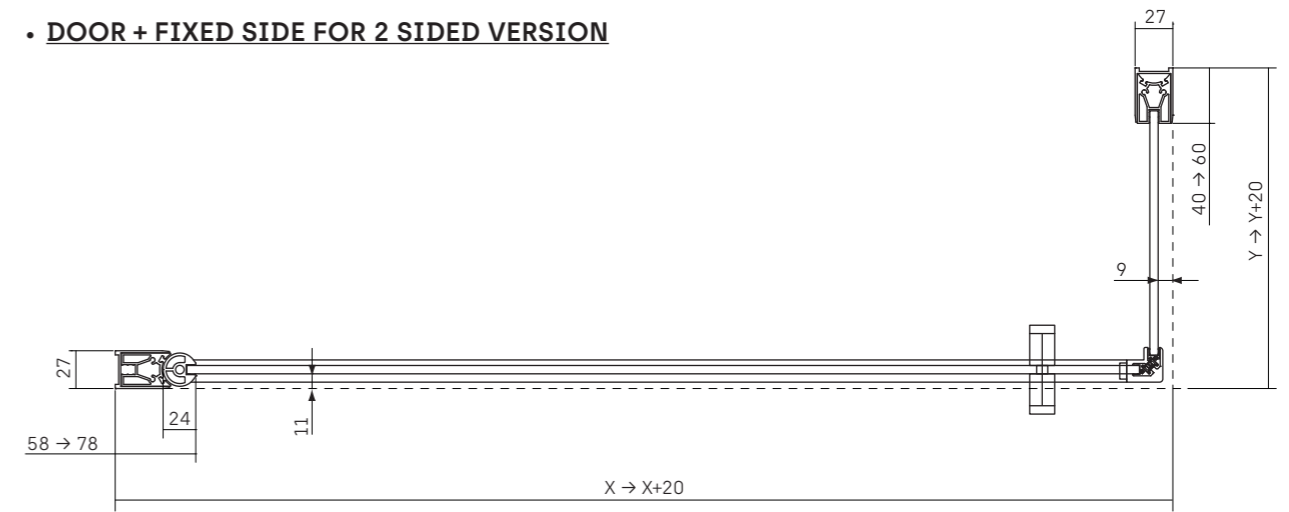
## • DOUBLE PIVOT DOOR + FIXED SIDE FOR 2 SIDED VERSION



# OMEGA • TOP VIEW

6 mm Th.

## • DOOR + FIXED SIDE FOR 2 SIDED VERSION



## • DOOR + DOUBLE CORNER FIXED SIDE

